

SATO101 "RURAL" PAN W/ CEMENT DOOR

Model Numbers:

- SATO101

Features/Benefits:

- Self-closing trap door design allows for a small amount of water to create a seal between waste and human environment
 - Minimizes odor and harmful gases - door remains in closed position unless in use or when flushing
 - Prevents insects from entering and escaping pits preventing spread of diseases
 - Water saving
 - Water seal depth: up to 12mm
- Cement used as an inexpensive counterweight material in locations where cement is easily accessible (SATO101 - cement not included)
- Closed aperture ensures sense of safety, especially for children



Description:

SATO101: Original SATO toilet pan with reduced size counterweight cup (cement ready).

Technical specifications:

Dimensions:

SATO101: 464 x 248 x 213mm

Pan Interior: 419 x 203 x 191mm

Material:

Pan and Trap Door: Polypropylene

Suggested Flush Volume: 500 mL

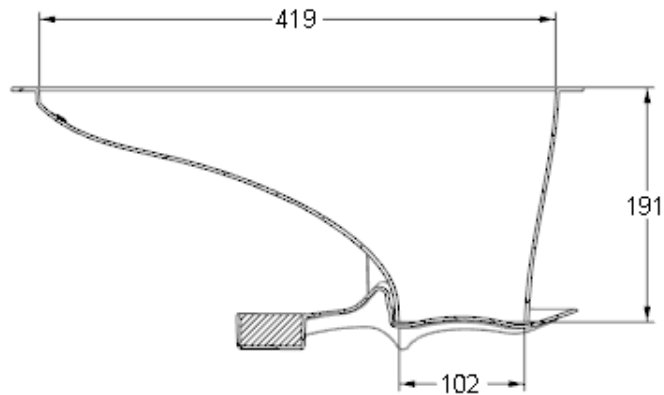
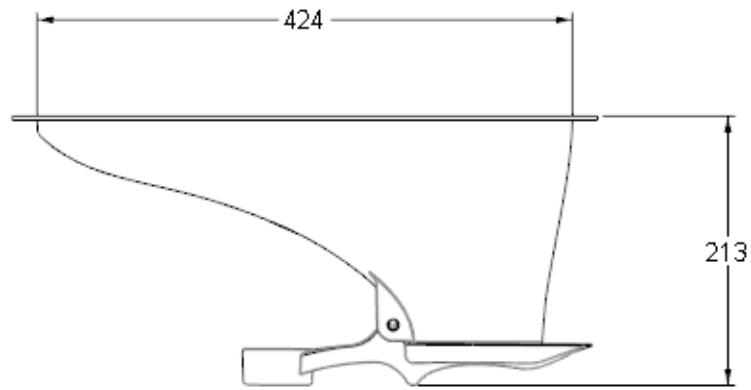
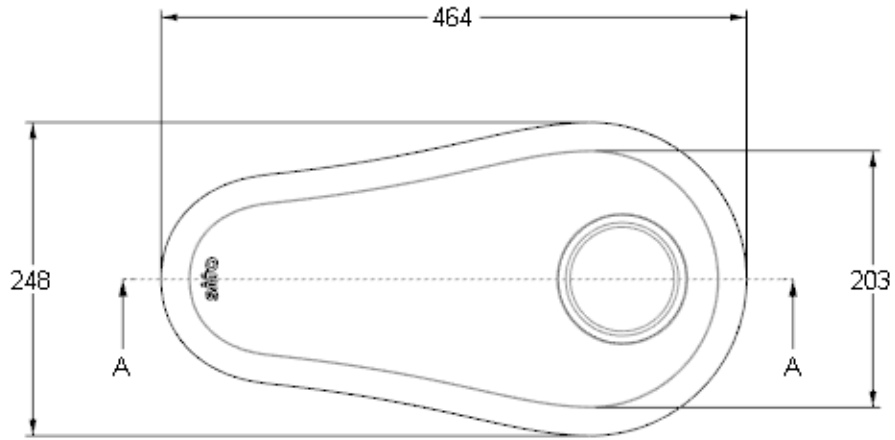
Weight (Approx.):

Pan: 396g

Door: 74g

Total: 470g

SATO101 "RURAL" PAN W/ CEMENT DOOR



SECTION A-A