

SATO
PART OF LIXIL

**GET
THAT
SATO
FEELING**



10 REASONS TO CHOOSE SATO



MINIMISES ODOURS



KEEPS FLIES AWAY



HIDES HUMAN WASTE



INCREASED SAFETY



WATER SAVING



DURABLE



EASY TO INSTALL



EASY TO MAINTAIN



EASY TO TRANSPORT



AFFORDABLE



We are SATO, part of LIXIL, an award-winning social business that has positively impacted the lives of more than 68 million people across 45 countries.



Our purpose is simple: to empower people everywhere to live a better life, every day, and to enjoy a brighter future through innovative sanitation and hygiene solutions.



We do this by designing affordable, sustainable, and accessible products based on the specific wants and needs of our customers.



We are proud of our impact and continue to work hard to achieve our goal of improving sanitation and hygiene for 100 million consumers by 2025.



OUR PRODUCTS

AWARD-WINNING SANITATION AND HYGIENE SOLUTIONS

From toilet pans and systems to the SATO Tap, our expert design and engineering teams create products that are carefully made to match the specific needs of our end consumers around the world.

SATO TAP OUR AWARD-WINNING HAND HYGIENE SOLUTION



SATO Tap is our brand-new, portable and easy to use hygiene solution that provides households with the benefits of handwashing without needing access to running water.

- Requires no installation. Just place the SATO Tap where you need handwashing! Enables handwashing with as little as 100ml of water
- Its unique design allows for a variety of plastic bottles to be used as a water reservoir, giving a new lease of life to single use PET bottles
- Simple to use – from kids to elderly

Dimensions

- 118mmH (without plastic bottle) x 219mmW x 248mmD

SATO BIRD DOOR TOILET PAN



An affordable and accessible sanitation solution that offers a genuine upgrade to open pits specifically designed for the African market.

- Unique self-closing counterweighted 'trap door' is designed to create an air-tight seal that closes off pit latrines from the open air which minimizes odours for enhanced user experience
- Water-saving design: the pan uses less than one litre per flush – 80% less than conventional toilets
- Easy to install. Can be embedded into the floor like a conventional toilet pan in new construction or as retrofit in existing toilets

Dimensions

- 464 (L) x 248 (W) x 225 (H)

SATO QUIET CLOSE FLEX TOILET PAN



Designed for retro-fitting over a traditional pit with a small aperture the 146 delivers freshness, comfort and safety to households and public institutions that do not have access to running water or sewer systems.

- The rubber bumper reduces the sound of the trap door whilst in operation
- Water-saving design: the pan uses less than one litre per flush – 80% less than conventional toilets
- Limited outlet aperture helps to prevent young children from accidentally falling into pits

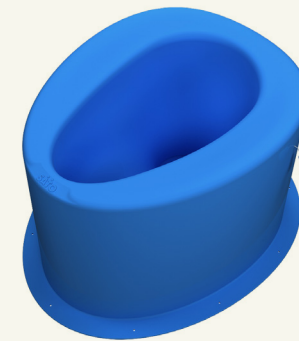
Dimensions

- 540mm (L) 440mm (W) 216.5mm (H)

SUSTAINABLE BY DESIGN

Our entire product range is 100% recyclable. Both the SATO Tap and SATO Toilets use 90% and 80% less water respectively compared to their traditional counterparts, which is essential for sustaining good sanitation and hygiene practices in areas challenged by a lack of available water.

SATO QUIET CLOSE SATO STOOL



The western-style sit stool toilet provides a comfortable and pleasant toilet experience for households without access to a sewerage system.

- Allows comfortable sitting position for all family members, from the young to the elderly
- Provides better access for those with reduced mobility
- Minimizes odour for enhanced user experience
- Saves water. The stool uses less than one litre per flush – 80% less than conventional toilet pans

Dimensions

- 548mm (L) 460mm (W) 304.8mm (H)

SATO SINGLE OUTLET I-TRAP CONNECTION SYSTEM



The perfect partner to connect all our toilet pans available in India to a single pit

- The 310 single outlet connection and sealing system helps to minimise odours by diverting waste to an offset single pit
- The I-Trap is designed to house the pan on top and a pipe to the side that directs waste to a single pit
- Connection and sealing system for toilet pans with 90mm outer diameter outlet, including SATO 400, 410 and 450 conventional toilet pans

Dimensions

- 371 mm (L) 163 mm (W) 217 mm (H)

SATO TWIN OUTLET V-TRAP CONNECTION SYSTEM



The perfect partner to connect all our toilet pans to two offset pits

- The 320 twin outlet connection and sealing system helps to minimise odours by diverting waste to two offset pits using the SATO 400 series pans and the V-Trap system
- The V-Trap is designed to house the pan on top and two pipes to the side that directs waste to twin offset pits for waste collection
- Connection and sealing system for toilet pans with 90mm outer diameter outlet, including SATO 400, 410, and 450 toilet pans

Dimensions

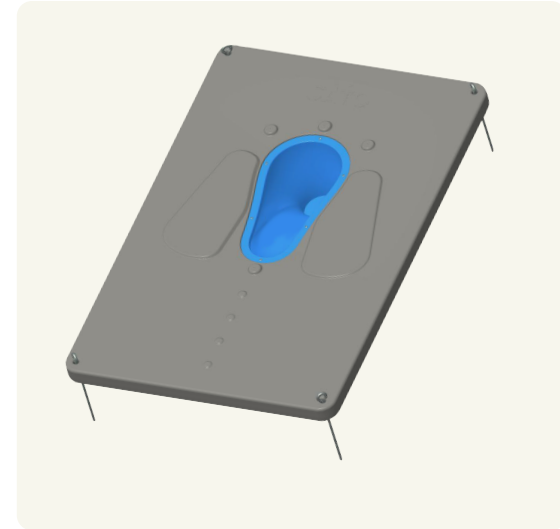
- 393.2 mm (L) 280.2 mm (W)

OUR PRODUCTS

MODULAR CONSTRUCTION FOR QUICK INSTALLATION

Need to construct a toilet quickly? The sturdy and quick-to-install SATO Slab has been designed to be easy to clean, rugged and self-supporting.

SATO SLAB WITH BIRD DOOR TOILET PAN OR STOOL

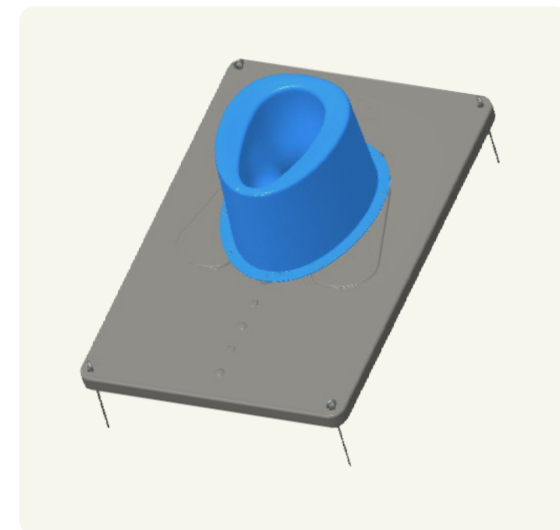


- Comes complete with the SATO pan, requires minimal assembly and with sturdy iron pegs for quick and easy installation
- Self-supporting, load bearing construction requires minimal support underneath
- The one-piece slab has raised foot plates and is easy to clean
- Raised centre bumps provide a pathway for the visually impaired
- Increased safety. Limited outlet aperture helps to prevent young children accidentally falling into pits
- Our innovative SATO pan bird door design creates a self-closing counterweight action to create an air-tight seal to minimize odours
- Minimum order quantity of 2000 pieces

Dimensions

- 1200mm (L) X 800mm (W) X 53mm (+3mm with footrest) (H)

SATO SLAB WITH TOILET PAN AND STOOL (FOR OFFSET PITS)



The western-style sit stool toilet provides a comfortable and pleasant toilet experience providing better access for those with reduced mobility. Comes complete with a collection box for offset pit construction.

- Comes complete with the SATO pan, requires minimal assembly and with sturdy iron pegs for quick and easy installation
- Allows comfortable sitting position for all family members, from the young to the elderly.
- Self-supporting, load bearing construction requires minimal support underneath
- The cup that creates a counterweight action is filled with cement to create a self-closing air-tight seal to minimize odours
- With an integrated flange that stops dirt entering the collection box during installation
- Minimum order quantity of 2000 pieces

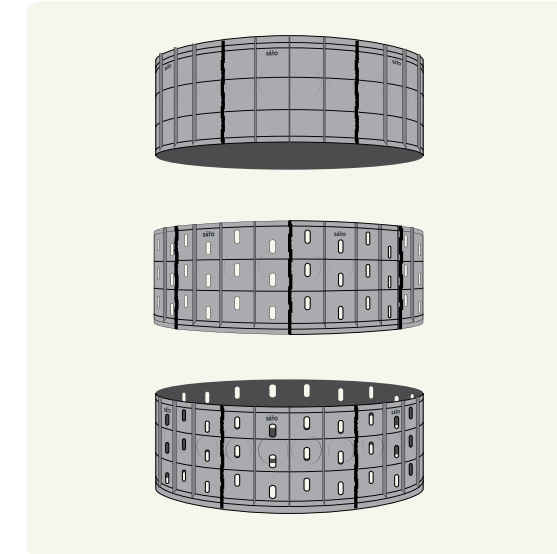
Dimensions

- 1200mm (L) X 800mm (W) X 636mm (H)

DESIGNED FOR LIFE

SATO products offer an end-to-end solution for off-grid safely managed sanitation systems.

SATO PIT LINER

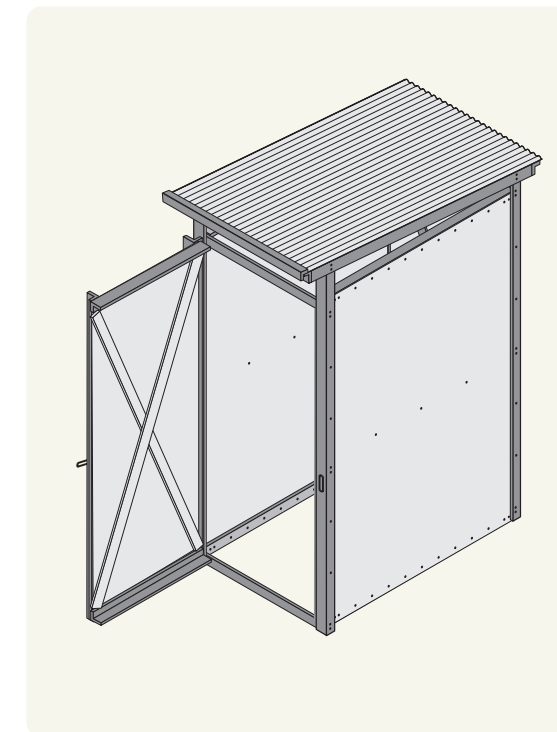


- Individual panels are lightweight and stack for compact packaging ensuring easy transport and handling. This makes the pitliner suitable for use in difficult to access site locations
- Designed and tested to hold back soil pressure
- Includes a non-perforated top layer to prevent excess rainwater from entering the pit
- Optimal perforations for leach pit promote excellent drying of pit contents while preventing excess soil or pests from entering the pit
- The interlocking panels click together to create a rigid pit lining quicker than the conventional brick construction
- Does not require any additional tools, materials or skilled labour (e.g. brick laying) to install the pitliner
- Available in two sizes depending on the diameter of the pit required

Dimensions for 18 panel version:

- 1 Panel: 418x541x90 mm (LWH) 1234 x 1050mm OD (Ø1000mm ID)
- 1 Box (18 Panels): 430x555x475 mm (LWH)

SATO SUPERSTRUCTURE



- Built from EcoRenew, our innovative recycled plastic waste, the SATO SuperStructure is exceptionally robust and durable, ensuring long-term use and reliability.
- EcoRenew is made from recycled plastic waste, helping to reduce waste, CO2 emissions, and support eco-friendly initiatives.
- Delivered in a compact, flat-packed form, this toilet building is easy to transport.
- Engineered for swift and straightforward assembly, the SATO SuperStructure can be assembled with minimal tools required, making it ideal for humanitarian settings.
- Designed with user comfort in mind, it includes a secure door and well-structured walls that provide full privacy, enhancing the overall user experience. The opaque roof allows the sun to light the building during the daytime.
- Utilising recycled plastic waste not only contributes to environmental conservation but also makes this product highly cost-effective, offering great value without compromising on quality.

Dimensions:

- 1600mm (L) x 900mm (W) x 2200mm (H)

If you need more information or would like to get in touch, please contact our Customer Experience Centres:



Kenya

0800722233

Mon-Fri 9am-6pm,
Sat 9am-1pm

Nigeria

08001235400

Mon-Fri 9am-6pm,
Sat 9am-1pm

Uganda

0800200457

Mon-Fri 9am-6pm,
Sat 9am-1pm

Tanzania

0800120076

Mon-Fri 9am-6pm,
Sat 9am-1pm

India

+1800 202 1626

Mon-Sat 9am-6pm

Or email SATO@LIXIL.COM



www.sato.lixil.com